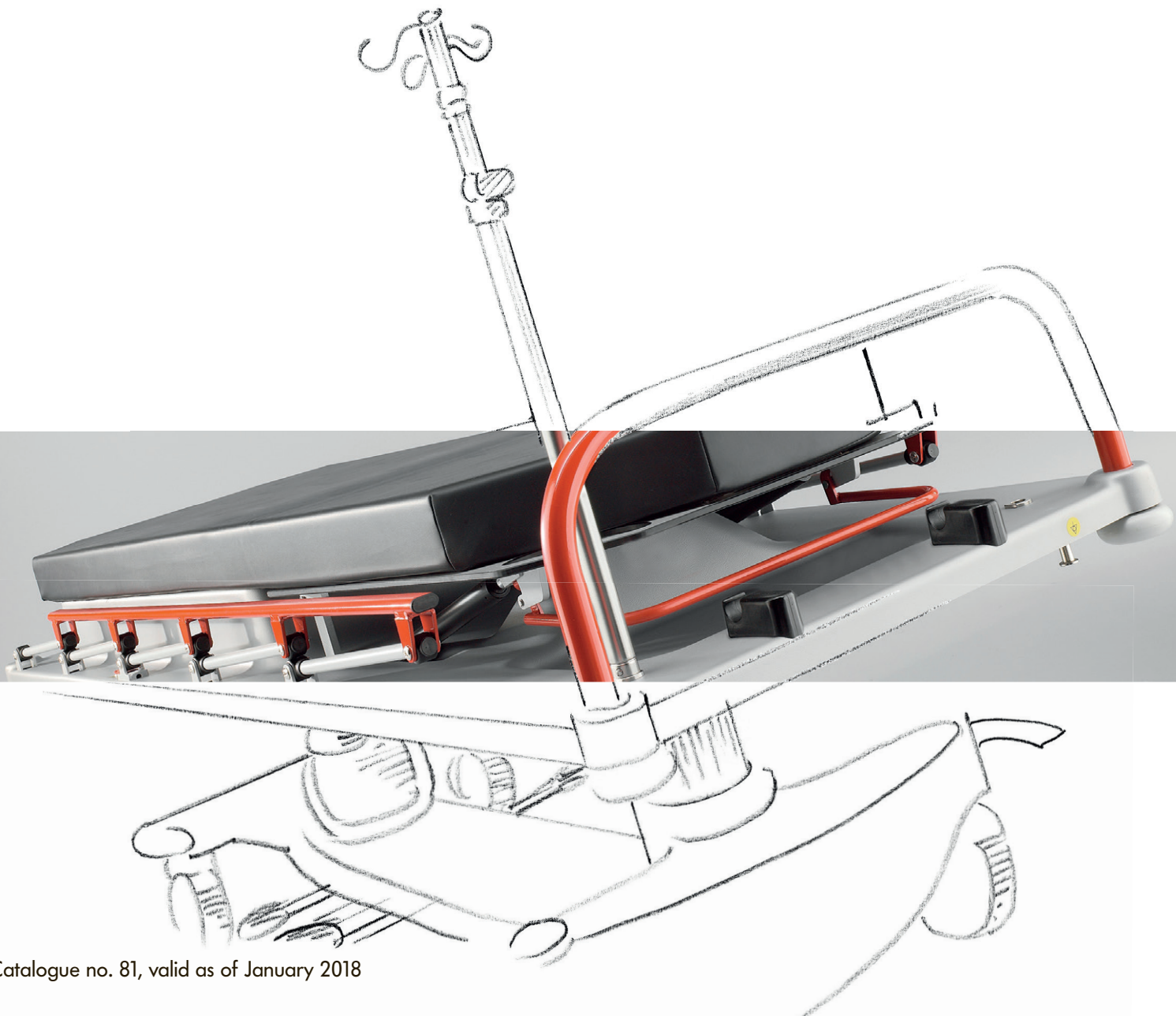




STL 285, STS 282, STX 280

The Patient Transport Systems for Emergencies, Outpatient Depts., Intensive Care and X-Ray



Patient Transport System STL and STS with new antimicrobial coating

Effective protection thanks to innovative antimicrobial technology

The powder coating contains antimicrobial additives.

These additives concentrate on the surface in order to protect against contaminating bacteria or microbes.

These additives bind to the bacteria and damage their cells in different ways disrupting their normal function and stopping reproduction.

The microbes* cannot survive.

*bacteria, mould and fungi

An anti-microbial coating on our STL and STS transport system ensures effective and long-lasting reduction of bacteria, mould and fungi colonisation.

Because of the antimicrobial coating, certain germs are reduced to up to 80% after 15 min and up to 99% within the first two hours.

The use of the antimicrobial coating is an addition to the necessary hygienic processes and increases the protection against potentially harmful microbes.

It inhibits growth of a wide spectrum of microorganisms:

- MRSA
- E.coli
- Salmonella
- Legionella
- Aspergillus Niger

For further information please visit www.biocote.com.

No change of your transport system

The transport system does not change on the outside. The anti-microbial coating does not affect its performance capacity.

Long life

The anti-microbial performance does not decrease; it does not wear out; it does not wash off, it will last the lifetime of the product.

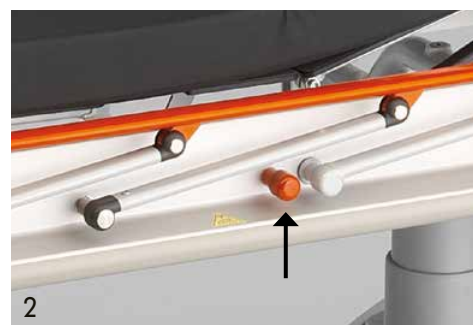
Continuous

The antimicrobial effect is achieved by adding silver ion additives to the coating. This technology works continuously protecting around the clock.

No additives containing nano technologies are used.

The coating is colour-neutral and is used in the areas of the transport system which are especially vulnerable and strained with respect to hygiene requirements:

- 1 Side guards
- 2 Release button / lever of side guards
- 3 Push bar and release of the backrest adjustment



Why is an anti-microbial coating sensible?

- Bacterial diseases are increasing
- Ever increasing hygiene standards
- Microbes can be found everywhere
- Harmful bacteria, such as MRSA, can be found even on the most clean surface where they can grow and pose a threat to our health

Advantages of silver ion technology

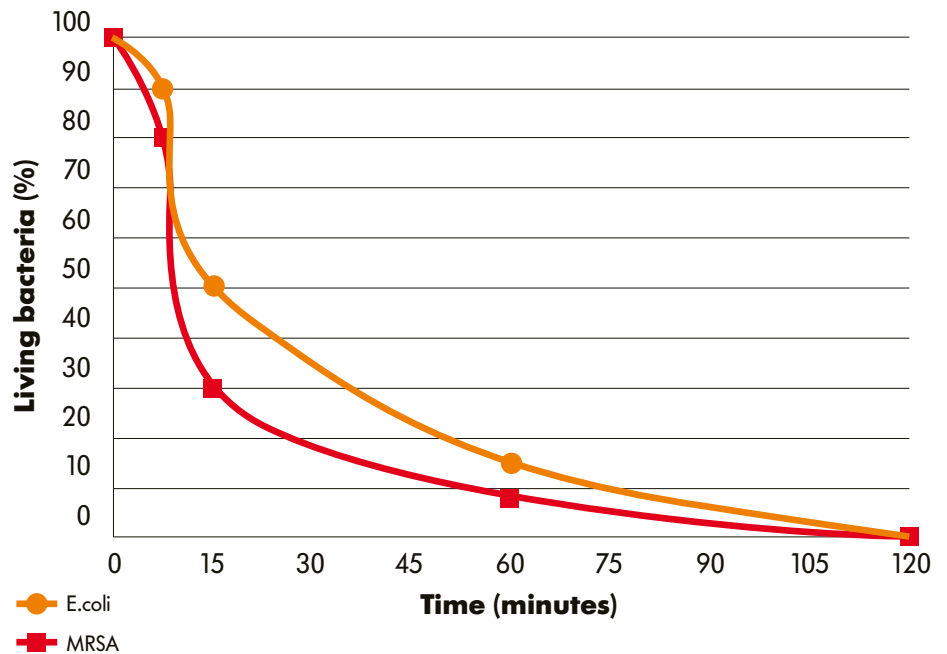
- They are effective against bacteria, mould and fungi
- Silver ion technology is proven effective against resistant strains of bacteria
- They have a permanent effect, complementing the cleaning process

The anti-microbial coating has been tested to ISO 22196:2011 to substantiate the reduction of microbes. Only coatings with a minimum reduction of 95 per cent are approved.

Microbes have a very long stability on untreated surfaces:

Microbe	Durability
MRSA	up to 7 months
Salmonella	14 days
Aspergillus niger	spores survive for years
E.coli	up to 16 months

Percentage of reduction of MRSA and E.coli on a protected surface (ISO 22196:2011)



Untreated surface

Treated surface

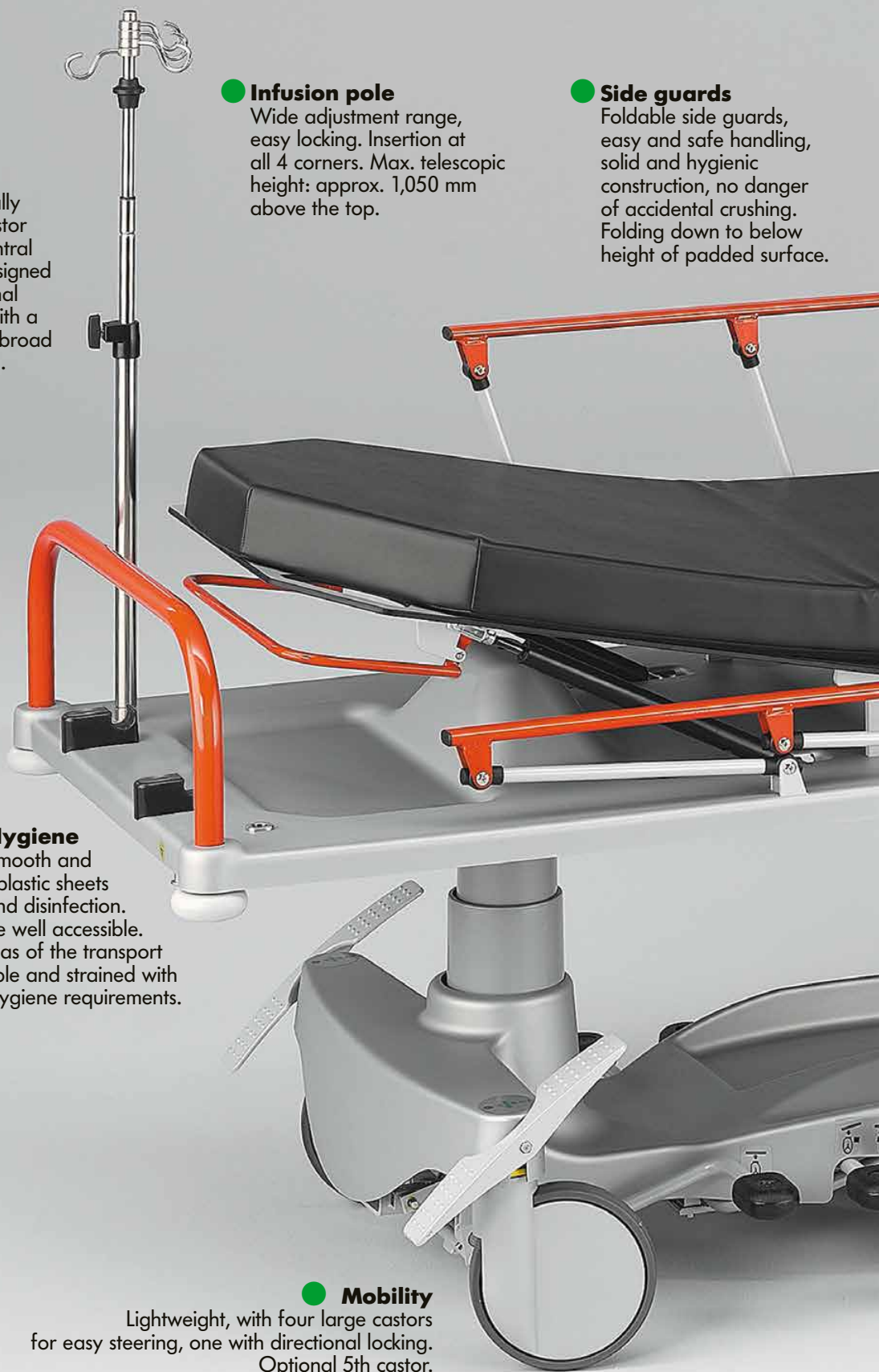
The anti-microbial silver ion technology reduces the growth of microbes **up to 99 per cent** during the first two hours.

STL 285

The Patient Stretcher for use inside hospitals

CE

This lightweight transporter provides excellent manoeuvring facilities, especially when the STL is equipped with a 5th castor (optional). Of solid construction with central locking of castors from all sides. Well-designed with closed surfaces to guarantee optimal cleaning/disinfection. Patient stretcher with a favourable price/performance ratio, a broad range of accessories and easy handling.



● **Infusion pole**
Wide adjustment range, easy locking. Insertion at all 4 corners. Max. telescopic height: approx. 1,050 mm above the top.

● **Side guards**
Foldable side guards, easy and safe handling, solid and hygienic construction, no danger of accidental crushing. Folding down to below height of padded surface.

● **Push bar**
One-piece, full-width, one-hand action/moving of the transporter.

● **Hygiene**
Chassis and upper part features - smooth and sealed coated plastic sheets for optimal hygienic cleaning and disinfection. All parts of the side guards are well accessible. Use of antimicrobial coating for the areas of the transport system which are especially vulnerable and strained with respect to hygiene requirements.

● **Mobility**
Lightweight, with four large castors for easy steering, one with directional locking. Optional 5th castor.



- **Low basic height of 550 mm**
More comfort for the patient and hospital staff.



- **Capacity**
Safe working load up to 300 kg.

- **Upholsteries**
With adhesive gel strip at the underside.

- **Design**
To guarantee optimal hygiene, great emphasis was placed on the design lines of the STL frame and mouldings.



- **Operation**
High/low and Trendelenburg/Reverse Trendelenburg adjustments may be operated either from left or right side of trolley. Central and directional locking of castors by foot pedals from all four sides.

Ill.:
285.1000.1 with 285.0550.1, 2071470.0 and 2071350.0

STL 285

The Patient Stretcher for use inside hospitals

CE

Description

Patient stretcher STL 285.1000.1

Chassis with plastic covering in silver-grey, with four one-wheeled castors of 200 mm diameter, with precision-ball-bearings, 2 antistatic and one castor with directional locking. Foot levers as central and directional locking or turn-around device. Foot pump for hydraulic adjustments. 1 foot pedal for height adjustment, 2 pedals for lowering of top and Trendelenburg/ Reverse Trendelenburg adjustments. With earth contact. Patient surface two-piece, without mattress. Back section infinitely adjustable up to 90° maximum by servo-assisted gas cylinders. Push bar at the head end, powder coated in vermilion RAL 2002. Foldaway side guards, powder coated grey/vermilion. With 4 bumpers. **Safe working load up to 300 kg.**

STL-Mattress 285.0500.1

1,950 x 620 mm, 40 mm thick, of resistant, hard-wearing PU material, suitable for X-ray imaging, antistatic, black, with adhesive gel strip at the underside.

STL-Mattress 285.0550.1

1,950 x 620 mm, 80 mm thick, of resistant, hard-wearing PU material, suitable for X-ray imaging, antistatic, black, with adhesive gel strip at the underside.

Transfer mattress 207.3890.0

for an easy and comfortable patient transfer, can also be used as a standard mattress, 1,950 x 590 x 80 mm, of resistant, hard-wearing PU material, antistatic, black, suitable for X-ray imaging, underside of high quality special sliding material, with 4 looped handles along each side. To be secured on both sides of the stretcher by straps. May only be used together with push bar 207.1420.0.

For further information regarding the transfer mattress, see page 7.

Adjustments, Dimensions:

	285.1000.1
Height adjustment*	550 – 870 mm by foot pump
Trendelenburg/ Reverse Trendelenburg	approx. 15°
Back section adjustment	+ 90°
Total length (overall dimension)	2,160 mm
Total width (overall dimension)	760 mm
Patient surface length	approx. 1,950 mm
Patient surface width	approx. 620 mm
Back section length	730 mm
Distance between the lifting columns	1,075 mm
Diameter of castors	200 mm
Earth contact	■
Weight	approx. 100 kg
Safe working load	300 kg

The company reserves the right to alter the design, construction, dimensions and finish without notice.

■ standard

* without mattress



Reverse Trendelenburg adjustment by foot lever



Trendelenburg adjustment by foot lever



Back section adjustment by servo-assisted gas cylinders



Low basic height

STL 285

Accessories

1

Push bar 207.1420.0

additional push bar for foot-end, powder coated in vermilion RAL 2002.

2

Side rail 207.1600.0

stainless steel, 455 mm long, for the attachment of accessories, mounted at the head end.

3

Body restraint strap 207.1800.0

with stainless steel attachment clamp, strap interchangeable and washable, Velcro fastener.

4

5th Castor 207.1300.0 – surcharge –

additional, spring-loaded directional castor, diameter: 100 mm, of central position for an optimal steering of transporter. Foot lever action (as central locking and directional locking or turn-around device) from all sides.

5

Transfer mattress 207.3890.0 – upon request –

1,950 x 590 x 80 mm, of resistant, hard-wearing PU material, antistatic, black, suitable for X-ray imaging, underside of special material, with 4 looped handles along each side. To be secured on both sides of the stretcher by straps. May only be used together with push bar 207.1420.0.

- High sliding quality and optimum comfort
- Less strenuous and easy to use
- Helps to save time and costs as it can be handled by just 1 person
- Ideal for transfer to X-ray tables
- Suitable for patients up to 225 kg
- No additional investment, as it can also be used as a standard mattress

6

Multifunction board 207.3000.0

to be used as monitor or writing tray with a safe working load of 15 kg, or as footboard. Top of grey plastics, incl. 2 Velcro monitor fasteners, frame powder coated RAL 9006. To be inserted at foot end.

7

Infusion pole 207.1470.0

stainless steel, top with 4 hooks, to be inserted at all 4 corners. Adjustment range 650 mm (3-stage-telescope), one-hand adjustment.

8

2 Hooks 207.3200.0

stainless steel, on LHS and RHS, for holding urine or wound drainage bags.

9

Head cushion 207.2650.0

black, with non-slip covering at the underside.

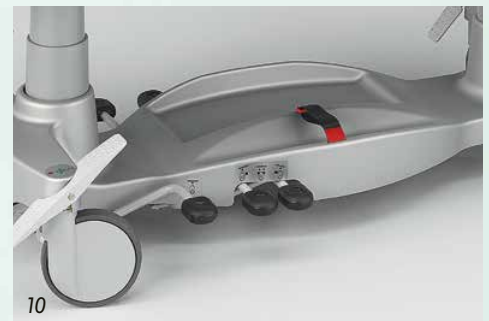
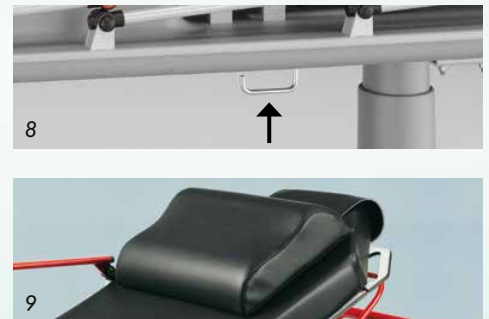
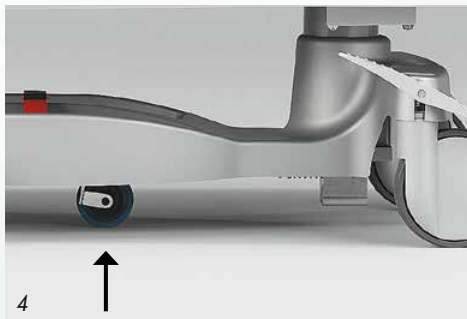
10

Moulded bottom cover 207.1350.0 – surcharge –

with receptacles for patient's utensils and oxygen cylinders up to 11 litres.

Paper roll holder 207.3990.0

for paper roll up to 500 mm width. (without ill.)



STS 282

The Patient Stretcher for Emergencies and Outpatient Depts.

CE

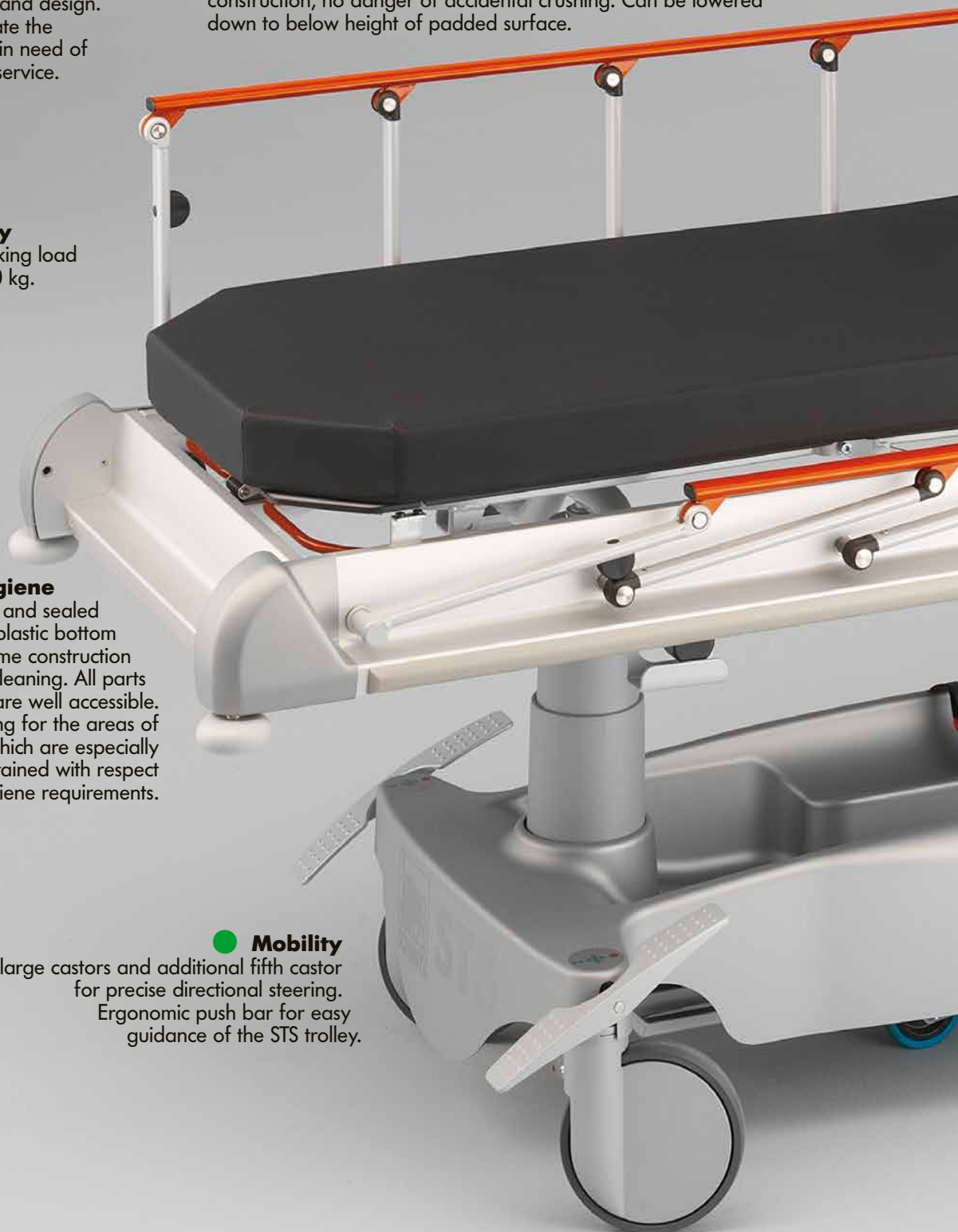
Whether for first aid treatment, in outpatient departments or intensive care units the modern transport stretcher STS 282 sets new standards in operation and mobility as well as in hygiene and design. Well-designed features facilitate the daily work when patients are in need of first-aid treatment or nursing service.

- **Capacity**
Safe working load
up to 300 kg.

- **Hygiene**
Chassis features - smooth and sealed coated sheets with plastic bottom and closed frame construction for optimal hygienic cleaning. All parts of the side guards are well accessible. Use of antimicrobial coating for the areas of the transport system which are especially vulnerable and strained with respect to hygiene requirements.

- **Mobility**
Four large castors and additional fifth castor for precise directional steering. Ergonomic push bar for easy guidance of the STS trolley.

- **Side guards**
Foldable side guards, easy and safe handling, solid and hygienic construction, no danger of accidental crushing. Can be lowered down to below height of padded surface.





Low basic height 590 mm

More comfort for the patient and hospital staff.

Upholsteries

With adhesive gel strip at the underside.

Infusion pole

Wide adjustment range, easy locking. Can be folded down when not in use.

Push bar

One-piece, of ergonomic design, can be folded away for better access to the patient. One-hand action/ moving of the transporter.

Design

To guarantee optimal hygiene, great emphasis was placed on the design lines of the STS frame and mouldings.



Operation

High/low and Trendelenburg/Reverse Trendelenburg adjustments may be operated either from left or right side of trolley. Central and directional locking of castors by foot pedals from all four sides.



Ill.:
282.1010.1 with 282.0550.1

STS 282

The Patient Stretcher for Emergencies and Outpatient Depts.

CE

Description

Patient stretcher STS Model 282.1010.1

Chassis with plastic covering in silver-grey, with four one-wheeled castors of 200 mm diameter, with precision-ball-bearings, 2 antistatic; additional one of 100 mm diameter as fifth castor. Foot levers as central and directional locking or turn-around device. Foot pump for hydraulic adjustments: 1 foot pedal for height adjustment, 2 pedals for lowering of top and Trendelenburg/ Reverse Trendelenburg adjustments. With earth contact. Patient surface two-piece, X-ray permeable, without mattress. Aluminium frame. Back section infinitely adjustable up to 90° maximum by servo-assisted gas cylinders. Push bar at the head end, swing-down type, powder coated in vermilion RAL 2002. Foldaway side guards, powder coated grey/vermilion. 4 bumpers and additional lateral collision protection.

Infusion pole of stainless steel, fixation at the head on left side, extendable (3-stage telescope), can be folded down, with 4 hooks. Storage space for utensils and oxygen cylinder holder integrated in the moulded bottom cover.

Safe working load up to 300 kg.

STS-Mattress Model 282.0500.1

1,950 x 620 mm, 40 mm thick, of resistant, hard-wearing PU material, suitable for X-ray imaging, antistatic, black, with adhesive gel strip at the underside.

STS-Mattress Model 282.0550.1

1,950 x 620 mm, 80 mm thick, of resistant, hard-wearing PU material, suitable for X-ray imaging, antistatic, black, with adhesive gel strip at the underside.

Transfer mattress 206.3890.0

for an easy and comfortable patient transfer, can also be used as a standard mattress, 1,950 x 590 x 80 mm, of resistant, hard-wearing PU material, antistatic, black, suitable for X-ray imaging, underside of high quality special sliding material, with 4 looped handles along each side. To be secured on both sides of the stretcher by straps. May only be used together with push bar 206.1400.0.

For further information regarding the transfer mattress, see page 13.

Patient stretcher STS 282.2010.1

similar to model no. 282.1010.1, but with four-part patient surface, foot and mid-section mechanically adjustable with gas-spring assistance, adjustment angle in the thigh area: 52°

STS-Mattress 282.0500.1

1,950 x 620 mm, 40 mm thick, of resistant, hard-wearing PU material, suitable for X-ray imaging, antistatic, black, with adhesive gel strip at the underside.

STS-Mattress 282.0550.1

1,950 x 620 mm, 80 mm thick, of resistant, hard-wearing PU material, suitable for X-ray imaging, antistatic, black, with adhesive gel strip at the underside.





Reverse Trendelenburg by foot lever



Trendelenburg by foot lever



mechanically adjustable foot and midsection



Adjustments, Dimensions:

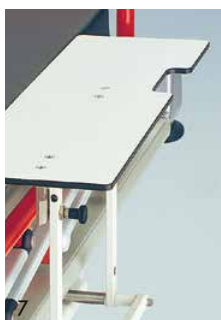
	282.1010.1	282.2010.1
Height adjustment*	590 – 900 mm by foot pump	590 – 900 mm by foot pump
Trendelenburg/Reverse Trendelenburg	approx. 15°	approx. 15°
Back section adjustment	+ 90°	+ 90°
Leg elevation		■
Total length (overall dimension)	2,160 mm	2,160 mm
Total width (overall dimension)	765 mm	765 mm
Patient surface length	approx. 1,950 mm	approx. 1,950 mm
Patient surface width	approx. 620 mm	approx. 620 mm
Back section length	730 mm	730 mm
Distance between the lifting columns	1,075 mm	1,075 mm
Diameter of castors	200 mm	200 mm
Infusion pole: three-stage telescopic bar, adjustment range: 650 mm	■	■
Receptacle for oxygen cylinder: for bottles up to 11 litres	■	■
Earth contact	■	■
Weight	approx. 115 kg	approx. 120 kg
Safe working load	300 kg	300 kg

The company reserves the right to alter the design, construction, dimensions and finish without notice.

■ standard

* without mattress

STS 282 Accessories



1
Push bar 206.1400.0
additional push bar for foot-end, foldaway, powder coated in vermilion RAL 2002 (no subsequent fitting possible).

2
Body restraint strap 206.1800.0
with stainless steel attachment clamp, strap interchangeable and washable, Velcro fastener.

3
Side rail 206.1600.0
stainless steel, 455 mm long, for the attachment of accessories, mounted at the head end. Emergency ventilator with corresponding adaptor can be hung on the side rail at head end (requires 1 x 206.1600.0).

Side rail 206.1610.0
similar to model no. 206.1600.0, mounted at the foot end.

Side rail 206.1620.0
similar to model no. 206.1600.0, mounted at the right hand long side, near the head end.

Side rail 206.1630.0
similar to model no. 206.1600.0, mounted at the left hand long side, near the head end.

Side rail 206.1640.0
similar to model no. 206.1600.0, mounted at the right hand long side, near the foot end.

Side rail 206.1650.0
similar to model no. 206.1600.0, mounted at the left hand long side, near the foot end.

4
Multifunction board 206.3000.0
to be used as monitor or writing tray with a safe working load of 15 kg, or as footboard. Top of grey plastics, incl. 2 Velcro monitor fasteners, frame powder coated RAL 9006. To be inserted at foot end.

5
Infusion pole incl. push grip 206.1460.0
additional infusion pole, placed at the foot, adjustment range: 650 mm (3-stage-telescope), can be folded down, with 4 hooks, of stainless steel, (no subsequent fitting possible).

6
Infusion pole 206.1470.0
stainless steel, top with 4 hooks, to be inserted at all 4 corners. Adjustment range 650 mm, one-hand adjustment (3-stage-telescope).

7
Arm rest 206.1700.0
left, stored under the top when not in use. (Please inform us of the thickness of foam cushion upon supplementary orders.)

8
Arm rest 206.1750.0
right, stored under the top when not in use. (Please inform us of the thickness of foam cushion upon supplementary orders.)



1
Head cushion 206.2650.0
black, with non-slip covering at the underside.

2
Reanimation board € 206.5500.0
600 x 390 x 6 mm (H x W x D)
made of Trespa, 8 mm thick, white.

3
Cassette carrier 206.2820.0
for X-ray-cassettes up to 350 x 430 mm,
telescopic insertion bar, with position mark,
stainless steel.

4
Guiding rails for X-ray-cassettes 206.2850.0
stainless steel (no subsequent fitting possible)
for 282.1010.0 model only.

5
Oxygen cylinder holder 206.3830.0
powder-coated sheet steel, RAL 9006, mounted
below the back section, for 2.5 l oxygen cylinders,
fixing of cylinder by hook and loop tape.

6
2 Hooks 206.3200.0
stainless steel, on LHS and RHS,
for holding urine or wound drainage bags.

Paper roll holder 206.3990.0
for paper rolls up to 500 mm width.
(without ill.)

7
Transfer mattress 206.3890.0
1,950 x 590 x 80 mm, of resistant, hard-wearing PU
material, antistatic, black, suitable for X-ray imaging,
underside of special material, with 4 looped handles
along each side. To be secured on both sides of the
stretcher by straps. May only be used together with
push bar 206.1400.0.

- High sliding quality and optimum comfort
- Less strenuous and easy to use
- Helps to save time and costs as it can be handled by just 1 person
- Ideal for transfer to X-ray tables
- Suitable for patients up to 225 kg
- No additional investment, as it can also be used as a standard mattress

STX 280

Special tables for patient transport, emergencies, intensive care and X-ray CE

Please note!
The STX Special tables
and their accessories
are subject to limited
availability!

One of the outstanding features of this versatile system is the unobstructed access of an X-ray image intensifier. Underneath the X-ray permeable tabletop there are guide rails for the insertion of X-ray cassettes. Radiographies from head to toe are possible. Neatly and accurately arranged control elements combined with excellent mobility help to meet the special needs of traumatotherapy and emergency care. Thanks to its solid, well-designed construction, the SCHMITZ STX can even be used as an operating table.

Differently designed tabletops can be fitted onto the chassis in either direction. Moreover the STX is also designed to carry a casualty lying on a stretcher.



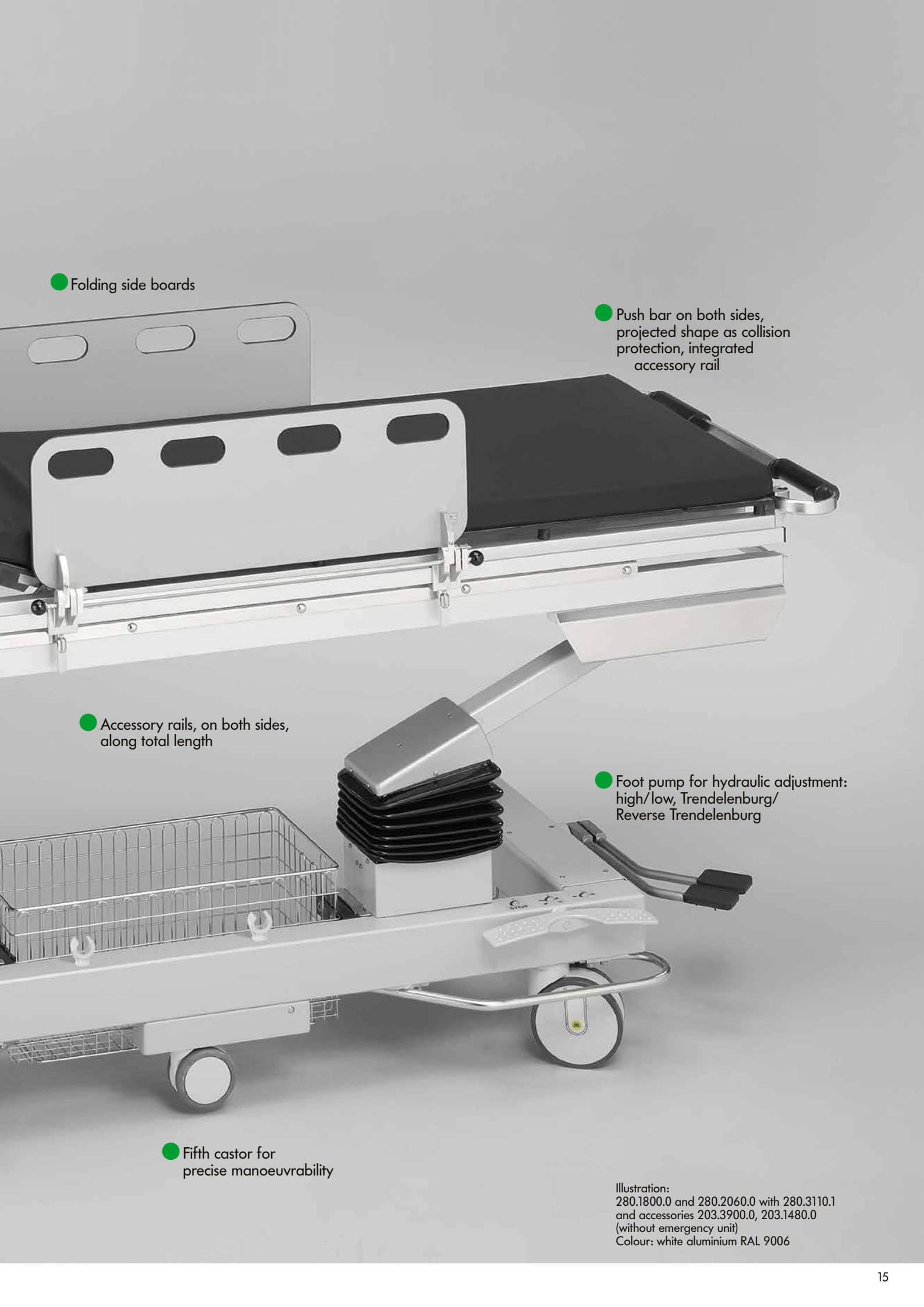
● X-ray cassette insertion

● Back section adjustable by gas cylinders

● An emergency unit can be hung onto the push bar

● Foot levers on both sides as total locking and directional locking device

● Antistatic, extremely extremely smooth running ball-bearing castors



● Folding side boards

● Push bar on both sides, projected shape as collision protection, integrated accessory rail

● Accessory rails, on both sides, along total length

● Foot pump for hydraulic adjustment: high/low, Trendelenburg/Reverse Trendelenburg

● Fifth castor for precise manoeuvrability

Illustration:
280.1800.0 and 280.2060.0 with 280.3110.1
and accessories 203.3900.0, 203.1480.0
(without emergency unit)
Colour: white aluminium RAL 9006

STX 280 Special tables CE

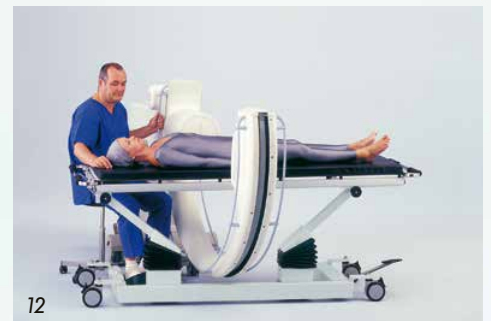
Please note!
The STX Special tables
and their accessories
are subject to limited
availability!



STX
280.2060.0,
280.1800.0,
280.3110.1



STX 280.2060.0,
280.1750.0, 280.3110.1



1/2
Height infinitely adjustable by foot pedal

3
Trendelenburg position max. 11 deg. by foot lever

4
Reverse Trendelenburg max. 11 deg. by foot lever

5/6
Two-section tabletop, longitudinal displacement
up to 550 mm, either direction

7
Unobstructed use of X-ray image intensifier

8
Marking for accurate positioning
of X-ray cassette carrier

9
Guide rails for insertion of X-ray cassettes

10
Transfer can be easily performed by one person

11/12
Lower version, use of 'C'-arm with
three-dimensional display

Description

280.1800.0/280.1810.0



STX Chassis 280.1800.0

for STX tabletops of 600 mm width, powder coated chassis in white aluminium (RAL 9006), four antistatic, ball bearing double castors of swivel type, 150 mm and one of 100 mm; foot levers as locking and directional locking device. Two pick-up rods for STX tabletops, with double-action foot pump for high/low adjustments of 645 – 1,015 mm and Trendelenburg/ Reverse Trendelenburg adjustments of max. $\pm 11^\circ$ (incl. top). With earth contact.

STX Chassis 280.1810.0

similar to model no. 280.1800.0, for STX tabletop 800 mm in width 280.2090.0

280.1750.0



STX Chassis 280.1750.0

Lower version to guarantee an optimal use of X-ray image intensifier (C-arm),

for STX tabletops of 600 mm width and tabletop of 800 mm width 280.2040.0, powder coated chassis in white aluminium (RAL 9006), four antistatic, ball bearing double castors of swivel type, 125 mm diameter, 2 of them are individually lockable.

Two pick-up rods for STX tabletops, with double-action foot pump for hydraulic adjustment of 520 – 890 mm and Trendelenburg/ Reverse Trendelenburg adjustments of max. $\pm 11^\circ$ (incl. top). With earth contact.

280.2020.0



STX Tabletop 280.2020.0

two-section top, without upholstery, 600 mm wide. Longitudinal aluminium rods with integrated side rail for attachment of accessories, push bar at both ends, projected shape as collision protection, integrated accessory rail, X-ray permeable top with guide rails for the insertion of X-ray cassettes. Backrest adjustment, infinitely adjustable up to max. 90° by servo-assisted gas cylinders.

STX Upholstery 280.3110.1

2,000 x 600 x 50 mm, of resistant, hard-wearing PU material, antistatic, black, suitable for X-ray imaging, with adhesive gel strips at the underside.

280.2060.0



STX Tabletop 280.2060.0

two-section top, without upholstery, 600 mm wide. Longitudinal displacement up to 550 mm, either direction. Longitudinal aluminium rods with integrated side rail for attachment of accessories, push bar at both sides, projected shape as collision protection, integrated accessory rail, X-ray permeable top with guide rails for the insertion of X-ray cassettes. Backrest adjustment, infinitely adjustable up to max. 90° .

STX Upholstery 280.3110.1

2,000 x 600 x 50 mm, of resistant, hard-wearing PU material, antistatic, black, suitable for X-ray imaging, with adhesive gel strips at the underside.

STX 280

Special tables, Technical data, Accessories

CE



Description



STX Tabletop 280.2090.0

two-section top, without upholstery, 800 mm wide. Longitudinal aluminium rods with integrated side rail for attachment of accessories, push bar at both ends, projected shape as collision protection, integrated accessory rail, X-ray permeable top with guide rails for the insertion of transversally inserted X-ray cassettes. Backrest adjustment, infinitely adjustable up to max. 90°. by servo-assisted gas cylinders.

STX Upholstery 280.3120.1

2,000 x 800 x 50 mm, of resistant, hard-wearing PU material, antistatic, black, suitable for X-ray imaging, with adhesive gel strips at the underside.

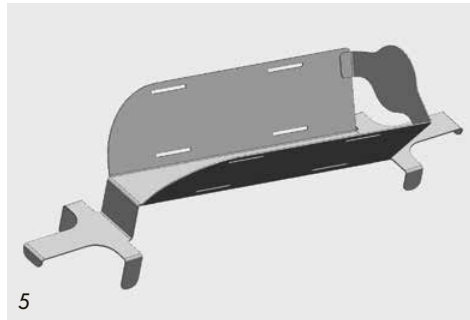
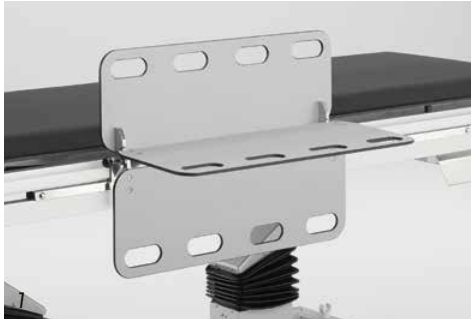
Possible STX 280 configurations

Chassis	Table-tops		
	280.2020.0	280.2060.0	280.2090.0
280.1800.0	■	■	
280.1750.0	■	■	
280.1810.0			■

Technical data:

Tabletops	280.2020.0	280.2090.0	280.2060.0
Chassis	280.1750.0/ 280.1800.0	280.1810.0	280.1750.0/ 280.1800.0
Upholsteries	280.3110.1	280.3120.1	280.3110.1
Height adjustment, incl. tabletop*	520 – 890 mm/645 – 1,015 mm	645 – 1,015 mm	590 – 960 mm/715 – 1,085 mm
Length of tabletop	2,000 mm	2,000 mm	2,000 mm
Total length (overall dimension)	2,260 mm	2,260 mm	2,260 mm
Width of tabletop	600 mm	800 mm	600 mm
Total width (overall dimension)	720 mm	920 mm	720 mm
Width of chassis	710 mm	830 mm	710 mm
Length of chassis	1,600 mm	1,600 mm	1,600 mm
Trendelenburg/ Reverse Trendelenburg	11 °	11 °	11 °
Back section adjustment	+ 90 °	+ 90 °	+ 90 °
Raised legs position	–	–	–
Longitudinal displacement of tabletop	–	–	to head and foot end, 550 mm, each
Castor, diameter	150 mm/100 mm	150 mm/100 mm	150 mm/100 mm
Total weight	157 kg	172 kg	165 kg
Safe working load	225 kg	225 kg	225 kg

■ standard * without upholstery/transfer mattress The company reserves the right to alter the design, construction, dimensions and finish without notice.



1
Side board/arm rest 203.3900.0
with locking, foldable, with stainless steel fixing clamps, 750 x 335 mm (L x W).

2
Storage basket 203.3810.0
stainless steel 18/10, for STX chassis 280.1800.0 and 280.1810.0.

3
Arm rest 203.1070.0
radiolucent plastic board, integral foam pad, antistatic, with attachment strap, stainless steel clamp, one-touch swivelling through 180° and horizontal as well as vertical adjustment, height adjustable, width 150 mm, length 600 mm.

4
Body restraint strap 203.1270.0
with stainless steel attachment clamp, washable and exchangeable Velcro strap.

5
Holder for oxygen cylinder 203.3840.0
stainless steel 18/10, for STX chassis 280.1800.0 and 280.1810.0. Does not fit STX chassis 280.1750.0!

6
Infusion pole 203.1450.0
stainless steel, 4 hooks, height adjustable, sliding rail fixation with ball and socket joint, adjustment range: 400 mm, one-hand action, safe working load: 2 kg (per hook).
Extension height above tabletop (w/o mattress): 660 to 1,060 mm.

7
Infusion pole 203.1480.0
stainless steel, top with 4 hooks, to be inserted at all 4 corners. Adjustment range 650 mm, one-hand adjustment (3-stage-telescope). Can be stored on the STX chassis when not in use.

Paper roll holder 203.3990.0
(without ill.)

Surcharge 200.8300.0
powder coated chassis acc. to colour chart.
(without ill.)



**SCHMITZ u. Söhne
GmbH & Co. KG**

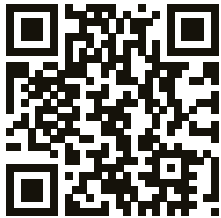
P. O. Box 14 61
58734 Wickede (Ruhr)
Germany (postal address)
Zum Ostenfeld 29
58739 Wickede (Ruhr)
Germany (visiting address)
T +49 (0)2377 84 0
F +49 (0)2377 84 135
www.schmitz-soehne.com
export@schmitz-soehne.de

Technical service, hotline:
T +49 (0)2377 84 549
F +49 (0)2377 84 210
service@schmitz-soehne.de

All articles including correspond-
ing accessories marked with
the CE label meet the standards
for medical devices acc. to
MPG and the EC regulation
93/42/EEC.

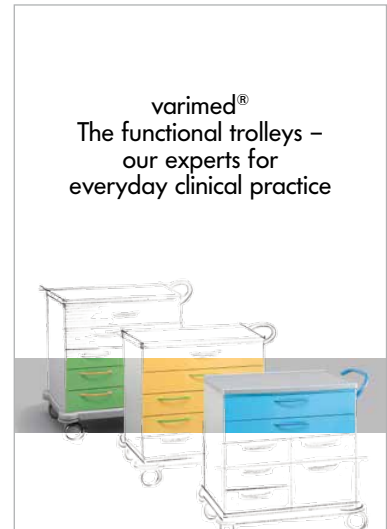


The products may only be used
for their intended purpose of use.
Please also observe our operating
manual!



[f/schmitz.soehne](https://www.facebook.com/schmitz.soehne)

**Information on
our establishments
worldwide can be found
on our website.**



Our goods and services are to be understood ex works. Deliveries are effected via our authorized partners or branch offices. The company reserves the right to alter the design, construction, dimensions and finish of its products without notice. All relevant dimensions and weights are to be understood as approximate information/data. Due to technical reasons colour deviations are possible. The articles shown in this catalogue are not authorized for sale in the United States. SCHMITZ Catalogue No. 81, 01.2018 GB
Nominal charge 3.00 Euro.