



HS ALLEGRA 50

Movability at its best



Tradition and innovation – Since 1858 visionary thinking and a fascination with technology have guided us to develop innovative products of outstanding reliability: Anticipating trends to improve quality of life.



Enjoy Microsurgery

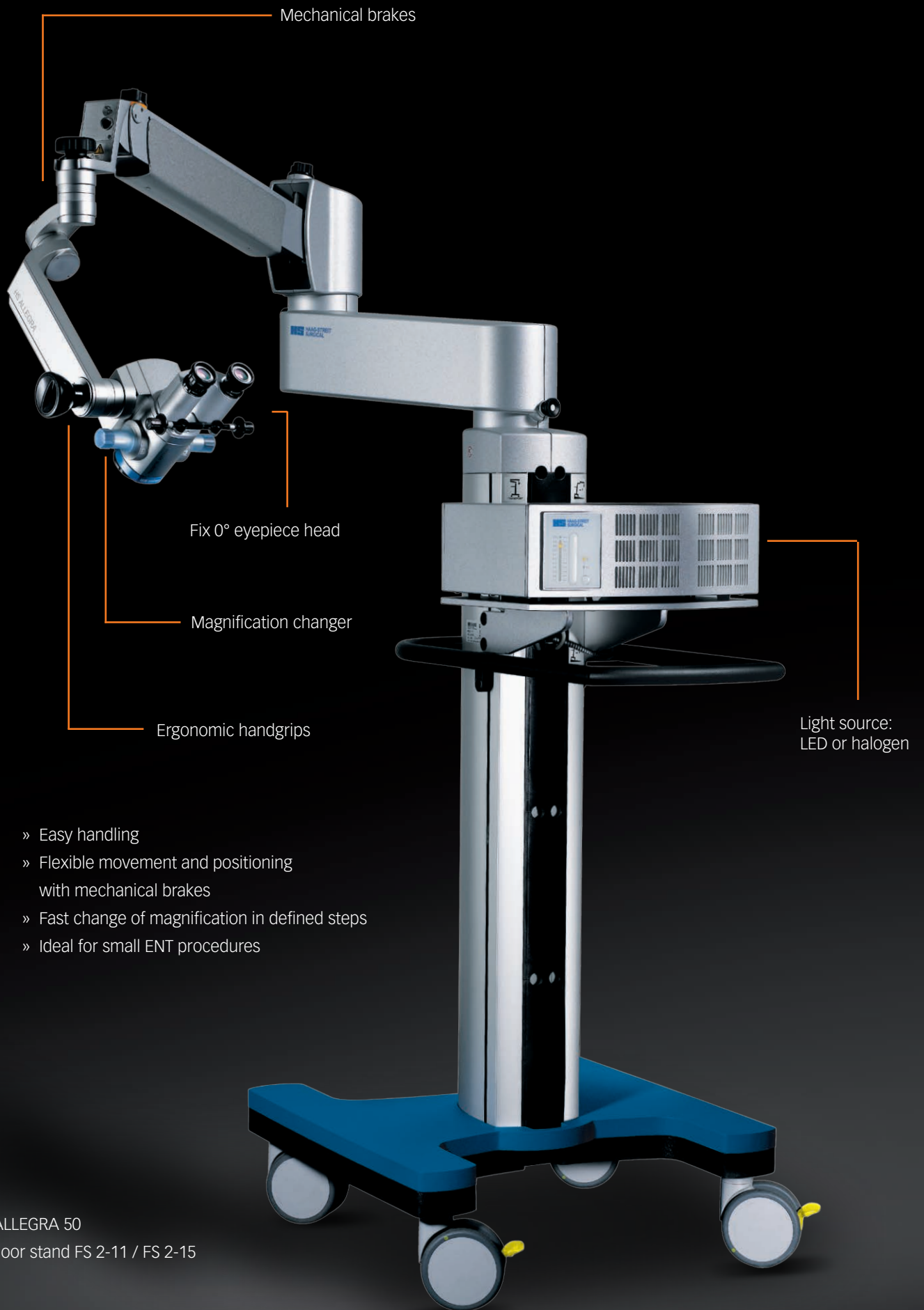


OUR HIGHLIGHTS:

HS ALLEGRA 50 is designed for examination and small procedures for ENT in doctor's offices and hospitals, where speed and flexibility are decisive factors.

With the support of two ergonomic hand grips, the microscope rotates cardanically around its center of gravity, thus providing optimal movement with minimal force in all directions.

High quality optics with large aperture result in an exceptionally bright image for the surgeon.



Mechanical brakes

Fix 0° eyepiece head

Magnification changer

Ergonomic handgrips

Light source:
LED or halogen

- » Easy handling
- » Flexible movement and positioning with mechanical brakes
- » Fast change of magnification in defined steps
- » Ideal for small ENT procedures

HS ALLEGRA 50
on floor stand FS 2-11 / FS 2-15



Optics, light & accessories

MOVABILITY

Due to the inclination angle of -30° to $+120^{\circ}$ and the lateral tilt of $\pm 45^{\circ}$, deep cavities and narrow canals can be optimally illuminated and examined, while HS ALLEGRA 50 always remains balanced. It is an ideal tool for ENT procedures. No springs need to be tightened, no knobs turned. The mechanical brakes retain the microscope safely in its working position.

VISUALIZATION

The apochromatic optics provides a sharp and contrasty image for the user at all magnification changes. Due to the large stereo base of 25 mm, an exceptional depth perception is achieved.

For coobservation, the high-resolution monitor M.DIS can be mounted to the microscope arm. The balance of the microscope will not be affected when the monitor is moved during operation. In combination with HS MIOS, M.DIS allows viewing and controlling of video recording or snapshots during examination or operation.

As a standard, HS ALLEGRA 50 contains a front lens for 250 mm working distance, and a fix straight eyepiece head. Various front lenses up to 400 mm working distance and a 160° eyepiece head (10x) are available too. Due to this configuration, the microscope is also well suited for throat procedures and examinations.

One more feature should be mentioned: An integrated video camera (1 CCD) is optionally available. Small external cameras, like our C.MOR HD, can also be attached.



HS ALLEGRA 50
with M.DIS



HS ALLEGRA 50
in 0° observation
position

INTRAOPERATIVE LIGHT MANAGEMENT

HS ALLEGRA 50 contains filters for daylight, softlight, UV protection (yellow filter, 515 nm), bluelight (excitation of fluorescence), and green light (better recognition of blood vessels). In addition, two spot diaphragms are integrated against glare.



Turning knob for the filter disk



C.MOR HD

C.MOR HD is a full HD color video camera designed for the HAAG-STREIT SURGICAL microscope. Its ultra-compact camera head houses a 1/3" CMOS sensor that meets very high standards. With a resolution of 900 TV lines and an S/N ratio of 500 dB images are crisp and sharp. Different user settings allow for individual adjustments.



C.MON HD

With its flat design and the size of 21.5" the brilliant HD monitor C.MON HD can easily be attached to the microscope's floor stand. Its touch function can be operated even with medical gloves. Due to the planar screen and glass surface it can be disinfected easily. For the safety of the system C.MON HD is fully approved for medical use.





Floor stand solutions



The floor stands FS 2-11 (halogen) and FS 2-15 (LED) are equipped with newly designed mechanical brakes, which are preadjusted in the factory for free-floating movements as well as stable working positions.

The light source is mounted externally for easy access. A tray (with transformer) may be fixed to the column to carry a camera control unit.

The shape and internal reinforcements of the column make the floor stands extremely stable against vibrations. The cables are completely covered, guided from an easily accessible cable duct in the column through the arm system up to the microscope suspension.



HS ALLEGRA 50
on floor stand FS 2-11 / FS 2-15



If only little space is available, the floor stand FS 1-12 with mechanical brakes and halogen light source is recommended.

HS ALLEGRA 50
on floor stand FS 1-12

HAAG-STREIT SURGICAL GmbH

Rosengarten 10
 D-22880 Wedel, Germany
 Telephone +49-4103-709 04
 Fax +49-4103-709 355
 info@haag-streit-surgical.com
 www.haag-streit-surgical.com

Members of HAAG-STREIT Group

HAAG-STREIT Holding AG
www.haag-streit-holding.com

HAAG-STREIT Deutschland GmbH
www.haag-streit.de

HAAG-STREIT AG
www.haag-streit.com

IPRO GmbH
www.ipro.com

SPECTROS AG
www.spectros.ch

CLEMENT CLARKE Ltd.
www.clement-clarke.com

HAAG-STREIT Medtech AG
www.haag-streit-medtech.com

HAAG-STREIT UK
www.haag-streit-uk.com

HAAG-STREIT France EURL
www.haag-streit.fr

John Weiss Ltd.
www.johnweiss.com

HAAG-STREIT Far East
www.haag-streit-fareast.com

HAAG-STREIT USA
www.haag-streit-usa.com

HAAG-STREIT Surgical GmbH
www.haag-streit-surgical.com

Reliance Medical Inc.
www.haag-streit-usa.com

MÖLLER-WEDEL GmbH & Co KG
www.moeller-wedel.com

Asetronics AG
www.asetronics.ch

MÖLLER-WEDEL Optical GmbH
www.moeller-wedel-optical.com

ComLab AG
www.comlab.ch

HAAG-STREIT SURGICAL distributes products manufactured by MÖLLER-WEDEL through dedicated representatives as well as national sister companies globally.



HAAG-STREIT-SURGICAL as well as MÖLLER-WEDEL maintain a Quality Management System for Medical Products according to ISO 13485. MÖLLER-WEDEL is not only developing innovative products but also producing them conscious to the environment. Fulfilling an Environmental Management System according to ISO 14001 is the guide line. Both, the Quality as well as the Environmental Management System, are certified by TÜV.



All products are conform to the EC guidelines and thus CE labeled.